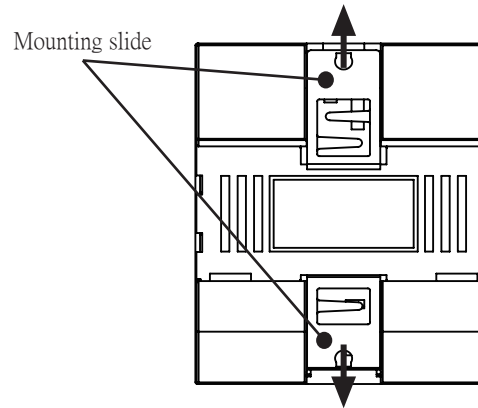
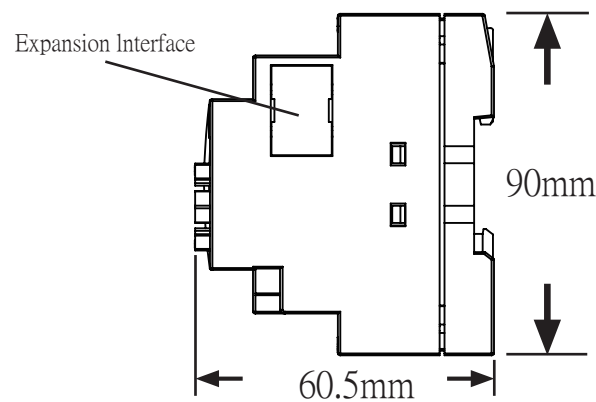
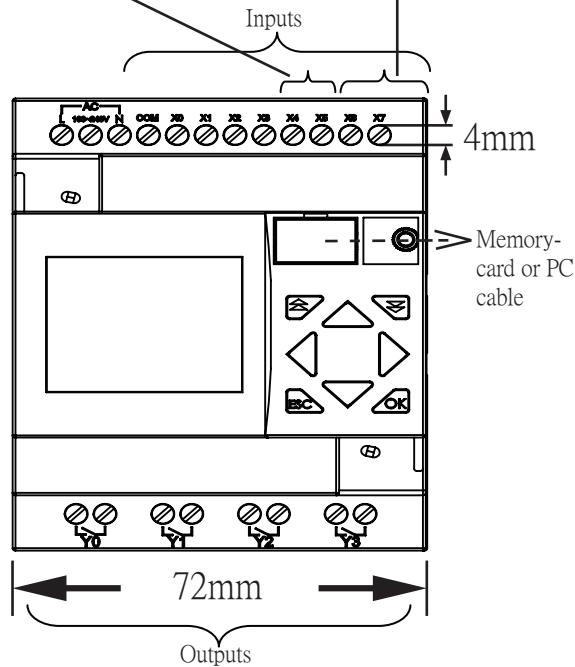


Yottacontrol AL Series mini PLC

X4 & X5:Fast inputs
(X0 ~ X3:Normal inputs)

X6 digital or AI0 analog(0...10v)
X7 digital or AI1 analog(0...10v)



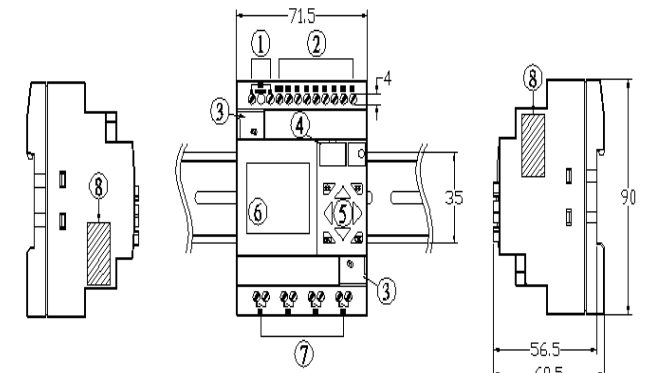
Mounting slides are shifted at the back side of the device before a wall mounting. Shift both outside.

Types: 8 inputs and 4 outputs

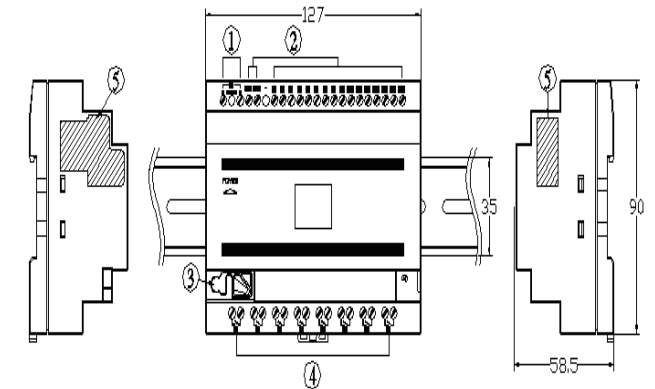


- 1. S:Standard basic module
X:Mixed standard basic module A/D
- 2. D:With display panel and keys
N:Without display panel and keys
- 3. 0:100~240 VAC
1:24 VDC
- 4. R:Relay output
T:Transistor output

Type	Power supply	Input	Analog input	Output	Display unit	Remarks
AL-SDOR	100~240VAC	8	X	4	LCD	Relay
AL-SNOR	100~240VAC	8	X	4	--	Relay
AL-SDOT	100~240VAC	8	X	4	LCD	Transistor
AL-SNOT	100~240VAC	8	X	4	--	Transistor
AL-XDIR	24 VDC	6	2	4	LCD	Relay
AL-XNIR	24 VDC	6	2	4	--	Relay
AL-XDIT	24 VDC	6	2	4	LCD	Transistor
AL-XNIT	24 VDC	6	2	4	--	Transistor



- ①Power supply
- ②Input
- ③Expansion buckle
- ④Transmission interface
- ⑤Keys
- ⑥Display pane
- ⑦Output
- ⑧Expansion interface



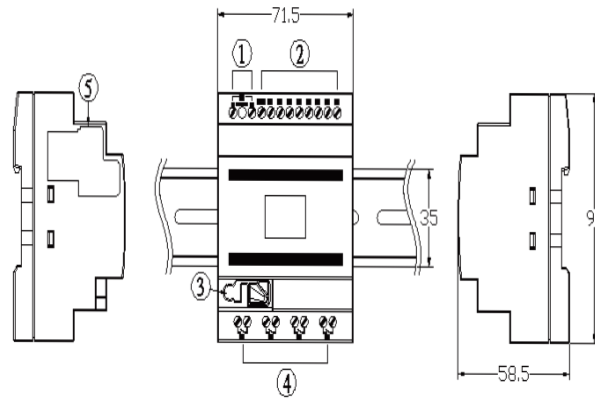
- ①Power Supply
- ②Input
- ③Expansion buckle
- ④Output
- ⑤Expansion interface

Type:

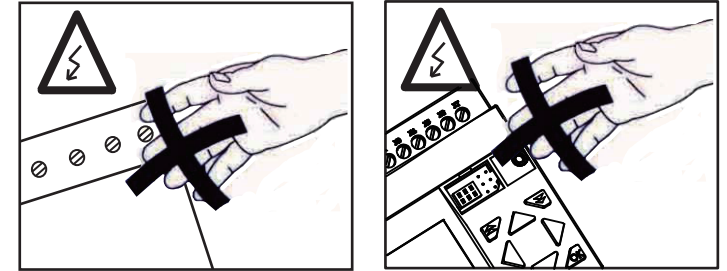
E24- I/O:16 Inputs and 8 outputs
 1 2

1. 0:100~240 VAC
 1: 24 VDC

2. R:Relay output
 T:Transistor output



- ①Power Supply
- ②Input
- ③Expansion buckle
- ④Output
- ⑤Expansion interface



Warning:
 Hazardous voltage can cause electrical shock and burns. Disconnect power before proceeding with any work on this equipment. You will find further informations in AL manual.

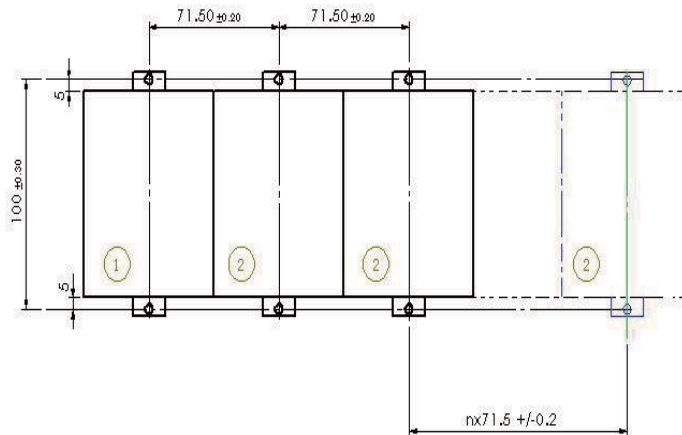
Type	Power supply	Input	Analog input	Output	Display unit	Remarks
E24-0R	100~240VAC	16	X	8	--	Relay
E24-0T	100~240VAC	16	X	8	--	Transistor
E24-1R	24 VDC	16	X	8	--	Relay
E24-1T	24 VDC	16	X	8	--	Transistor

Type:

E4- I/O:4 outputs
 1 2

1. 0:100~240 VAC
 1: 24 VDC

2. R:Relay output
 T:Transistor output



Type	Power supply	Input	Analog input	Output	Display unit	Remarks
E4-0R	100~240VAC	0	X	4	--	Relay
E4-0T	100~240VAC	0	X	4	--	Transistor
E4-1R	24 VDC	0	X	4	--	Relay
E4-1T	24 VDC	0	X	4	--	Transistor

