

A Series Communication Converter

OVERVIEW

- ▲ Auto Tuner baud rate,300~115200bps
- ▲ 3000VDC isolation protection
- ▲ ESD protection
- ▲ Power Inputs +10~+30VDC(RS-232 type)
- ▲ No external power supply (USB type)
- ▲ Fully compliant with USB 1.1 / 2.0
- ▲ DIN-Rail or wall mounting
- ▲ Driver support Windows 98/ME/2000/XP/Window7/WinCE/Mac/Vista/Linux /Windows Server 2008 R2/Android

Technical specifications

Type	A-1520	A-1521	A-1520U	A-1521U	A-1571U
Interface	RS-232 TO RS-485	RS-232 TO RS-485/422/232	USB TO RS-485	USB TO RS-485/422/232	USB TO RS-485/422/232
Speed	Auto Tuner baud rate, 300~115200 bps				
Transfer distance	Max. 1,200 m for speed 9.6 K bps; Max. 400 m for speed 115.2 K bps				
Supports Max device	Maximum of 256 devices (Without repeater)				
ESD Protection	Yes				
Supply Voltage	10~30VDC		--		
Power Consumption	Nearly 24V/0.5W		Nearly USB Port/0.5W		
OS Driver	--		Windows 98 / ME / 2000 / XP Window7(32/64 bit)/WinCE /Vista (32/64 bit) /Linux /Mac		Windows 98 / ME / 2000 / XP/Window7(32/64bit) /WinCE/Vista (32/64 bit) /Linux /Mac /Windows Server 2008 R2/Android
Operation temperature	-20°C to +75 °C				
Storage temperature	-25 °C to +80 °C				
Installation	DIN-Rail or wall mounting				
Connection	DB9(Female to RS-232)/USB(Type B); Removable 13-pin Terminal Block (For RS-422 / 485 / 232)				

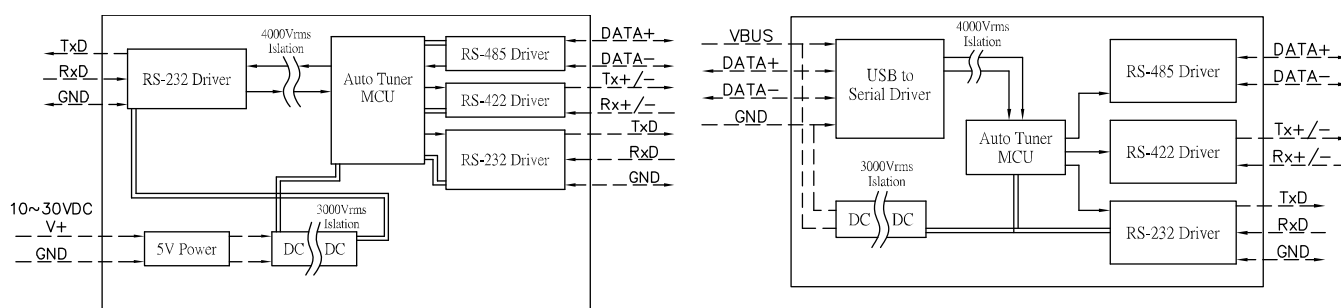
For further information, please visit : www.yottacontrol.com/comm

A Series Communication Converter

Pin Assignments

Terminal No.	A-1520	A-1521	A-1520U	A-1521U/A-1571U	Interface
1	DATA+	DATA+	DATA+	DATA+	RS-485
2	DATA-	DATA-	DATA-	DATA-	
3		TX+		TX+	RS-422/ RS-485
4		TX-		TX-	
5		RX+/D2+		RX+/D2+	
6		RX-/D2-		RX-/D2-	
7		TXD		TXD	RS-232
8		RXD		RXD	
9		(B)GND		(B)GND	
10		(B)GND		(B)GND	
11		NC		NC	
12	(R)+VS	(R)+VS	(R)+VS	NC	
13	(B)GND	(B)GND	(B)GND	NC	

Block Diagram



For further information, please visit : www.yottacontrol.com/comm